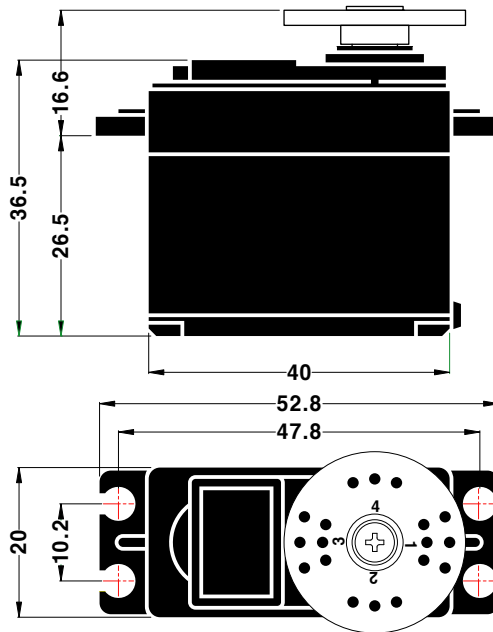


ANNOUNCED SPECIFICATION OF HS-322HD STANDARD DELUXE SERVO

1. TECHNICAL VALUE

CONTROL SYSTEM	: +PULSE WIDTH CONTROL 1500usec NEUTRAL	
OPERATING VOLTAGE RANGE	: 4.8V TO 6.0V	
TEST VOLTAGE	: AT 4.8V	AT 6.0V
OPERATING SPEED	: 0.19sec/60? AT NO LOAD	0.15sec/60? AT NO LOAD
STALL TORQUE	: 3kg.cm(41.66oz.in)	3.7kg.cm(51.38oz.in)
IDLE CURRENT	: 7.4mA AT STOPPED	7.7mA AT STOPPED
RUNNING CURRENT	: 160mA/60? AT NO LOAD	180mA/60? AT NO LOAD
STALL CURRENT	: 700mA	800mA
DEAD BAND WIDTH	: 5usec	5usec
OPERATING TRAVEL	: 40? /ONE SIDE PULSE TRAVELING 400usec	
DIRECTION	: CLOCK WISE/PULSE TRAVELING 1500 TO 1900usec	
MOTOR TYPE	: CORED METAL BRUSH	
POTENTIOMETER TYPE	: 4 SLIDER/DIRECT DRIVE	
AMPLIFIER TYPE	: ANALOG CONTROLLER & TRANSISTOR DRIVER	
DIMENSIONS	: 40x20x36.5mm(1.57x0.78x1.43in)	
WEIGHT	: 43g(1.51oz)	
BALL BEARING	: TOP/RESIN BUSHING	
GEAR MATERIAL	: 2 HEAVY DUTY RESIN	
HORN GEAR SPLINE	: 24 SEGMENTS/?5.76	
SPLINED HORNS	: RESULAR/R-C,R-D,R-I,R-O,R-X,SUPER/R-XA	
CONNECTOR WIRE LENGTH	: 300mm(11.81in)	
CONNECTOR WIRE STRAND COUNTER	: 40EA	
CONNECTOR WIRE GAUGE	: 25AWG	



2. FEATURES

LONG LIFE POTENTIOMETER, TOP RESIN BUSHING, 2 HEAVY DUTY RESIN GEARS

3. APPLICATIONS

AIRCRAFT 20-40 SIZE, STEERING AND THROTTLE SERVO FOR CARS, TRUCK AND BOATS

4. ACCESSORY & OPTION

CASE SET/
 HS322T:1EA
 HS322M:1EA
 HS322L:1EA
 PH/T-2 2x30 NI:4EA

GEAR SET/
 HS322G1:1EA
 HS325G2:1EA
 HS325G3:1EA
 HS322G4:1EA
 HS300RB:1EA

HORN SET/
 R-C:1EA
 R-D:1EA
 R-I:1EA
 R-O:1EA
 R-X:1EA
 R-XA:1EA
 WH/W 2.1x15 NI:4EA
 BST 3x5.5:4EA
 NBR 9x6.5x6:4EA